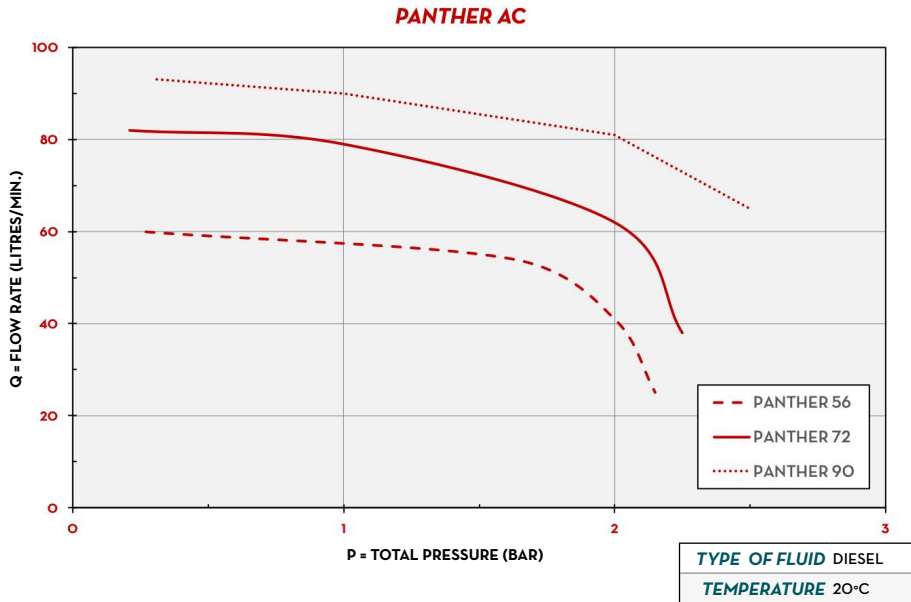




CHART



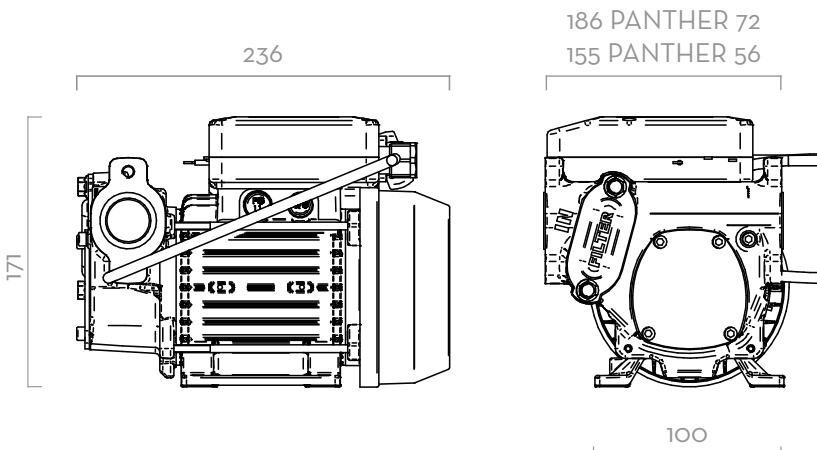
IN THE BOX

- PANTHER AC PUMP
- INSTRUCTION MANUAL

DETAILS



DIMENSIONS



Dimensions expressed in millimeters

MATERIALS

- BODY: CAST IRON
- ROTOR: SINTERED STEEL
- VANES: TECHNOPYLIMER
- SHAFT: STEEL
- SEAL: NBR/VITON (FKM)



PUMP

- > MAX 6M (20FT),
- > SUCTION HOSE Ø 1" MIN,
- > MAX SUCTION HEIGHT:
 - 2M (7FT) W/O NON RETURN VALVE
 - 4M (14FT) W NON RETURN VALVE



TANK

TECHNICAL DATA

| CODE | DESCRIPTION | FLUIDS TYPE | FLOW RATE | | VOLTAGE | | | | RPM | INLET OUTLET BSP | FLANGE CONNECTION | BY-PASS VALVE | INLET FILTER | DUTY CYCLE MINUTE |
|-------------------|---------------------------|-------------|-----------|------|------------------------|-----------------------|-------------|-----------|------|------------------|-------------------|---------------|--------------|-------------------|
| | | | L/MIN | GPM | SINGLEPHASE MOTOR V/Hz | THREEPHASE MOTOR V/Hz | PPOWER WATT | AMP. MAX. | | | | | | |
| PANTHER 56 | | | | | | | | | | | | | | |
| FOO730000 | PANTHER 56 230/50 | D | 56 | 15 | 230/50 | - | 350 | 3 | 2900 | 1" | - | YES | YES | |
| OOO731000 | PANTHER 56 230/60 | D | 70 | 18 | 230/60 | - | 500 | 3,9 | 3400 | 1" | - | YES | YES | |
| OOO733000 | PANTHER 56 400/50 | D | 56 | 15 | - | 400/50 | 500 | 1,3 | 2900 | 1" | - | YES | YES | |
| PANTHER 72 | | | | | | | | | | | | | | |
| OOO732000 | PANTHER 72 230/50 | D | 72 | 19 | 230/50 | - | 500 | 4,2 | 2900 | 1" | YES | YES | YES | |
| OOO735000 | PANTHER 72 400/50 | D | 72 | 19 | - | 400/50 | 500 | 1,6 | 2900 | 1" | YES | YES | YES | |
| NEW FOO732BOO | PANTHER 72 230V/50HZ BIOO | BIO D | 72 | 19 | 230/50 | - | 500 | 4,2 | 2900 | 1" | YES | YES | YES | |
| PANTHER 90 | | | | | | | | | | | | | | |
| FOO733O2A | PANTHER 90 230/50 | D | 90 | 23,8 | 230/50 | - | 700 | 4,9 | 2900 | 1" | YES | YES | YES | 30 |

UPON REQUEST IT IS AVAILABLE WITH DIFFERENT VOLTAGES AND 60 HZ FREQUENCY. (*) EXCEPT PANTHER 90